



## College of Engineering & Technology

Department: Mechanical Engineering

Marks: 20

Lecturer: Dr. Rola Afify

Time: 3:00- 4:10

Course Code: ME464

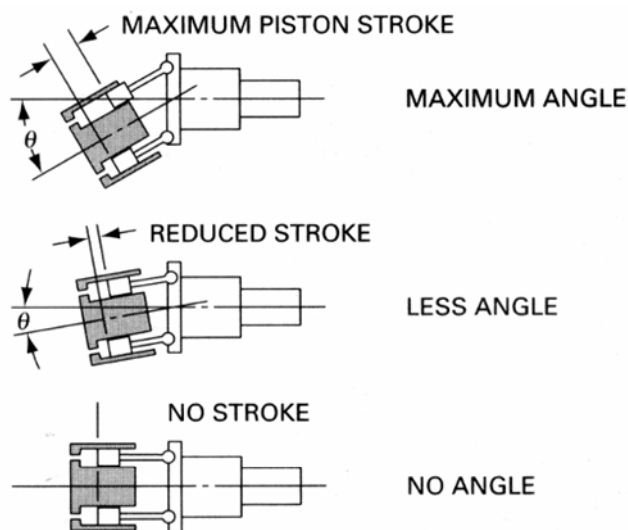
Date: 30/4/2013

Name:

**Answer the following questions:**

### **Question one (5 marks)**

For the axial piston motor (bent-axis type) shown in figure, compare between the volumetric displacement in the three cases.



### **Question two (7 marks)**

Find the flow rate in L/s that an axial piston pump delivers at 1000 rpm. The pump has nine 15 mm diameter pistons arranged on a 125 mm diameter piston circle. The offset angle is set at  $10^\circ$  and the volumetric efficiency is 94%.

**Question three (8 marks)**

Write down the words that represent each of the following:

