



College of Engineering & Technology

Department: Mechanical Engineering
Lecturer: Dr. Rola Afify
Course Code: ME464

Marks: 20
Time: 8:30 - 10:00
Date: 4/5/2016

20

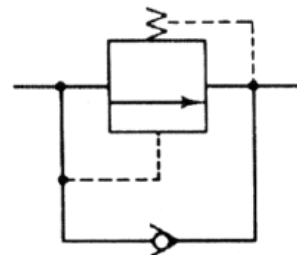
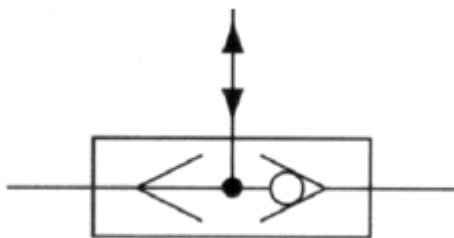
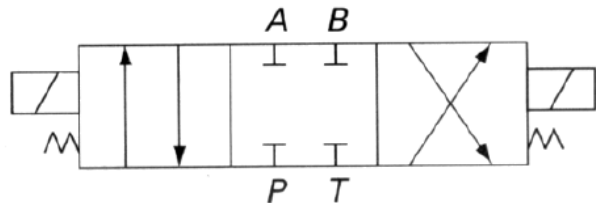
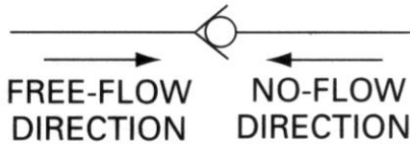
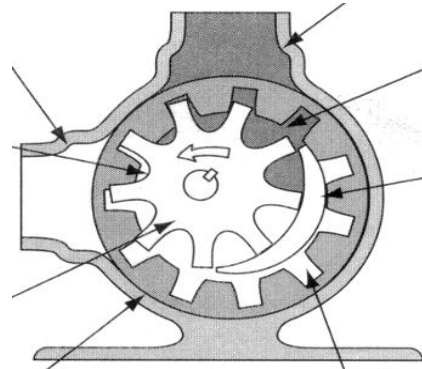
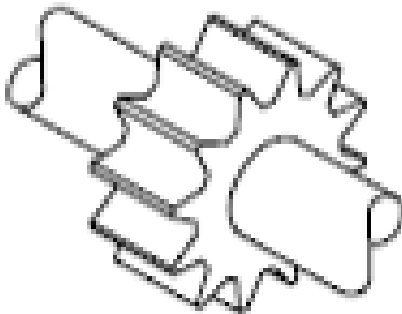
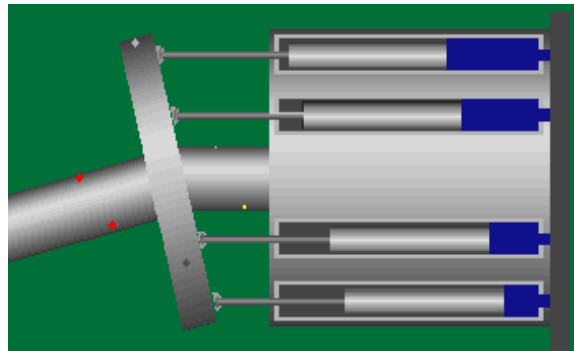
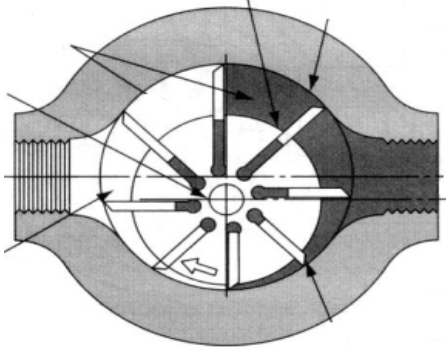
Name: _____

R.N.: _____

Answer the following questions:

Question one (8 marks)

Write down the words that represent the name of each of the following:



Question two (6 marks)

a) What is the function of:-
Pilot-Operated Check Valve

Relief valve

Shuttle Valve

Which of the following valves are used for Flow control?

Needle valve

Pressure-reducing valve

Check valve

Sequence valve

Shuttle valve

Unloading valve

Relief valve

Four-way, two position valve

Counterbalance Valves (CBV)

Non-Pressure-Compensated Valves

Pressure-Compensated Valves

Question three (6 marks)

Compare between External Gear Pump and Swash Plate Design Axial Piston Pump