



College of Engineering & Technology

Department: Mechanical Engineering
Lecturer: Dr. Rola Afify
Course Code: ME464

Marks: 10
Time: 3:00 - 4:00
Date: 29/4/2014

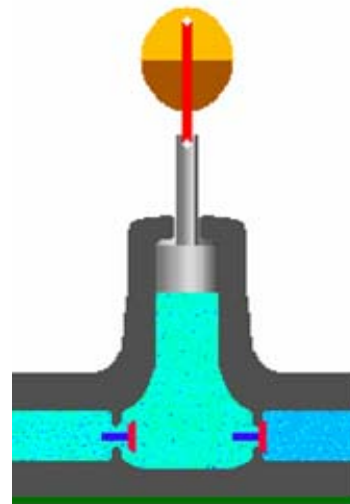
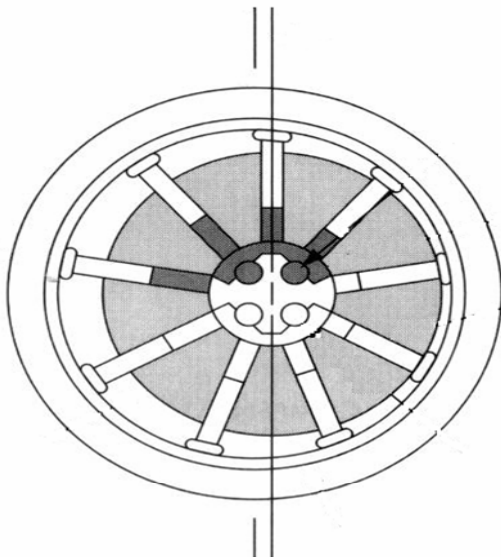
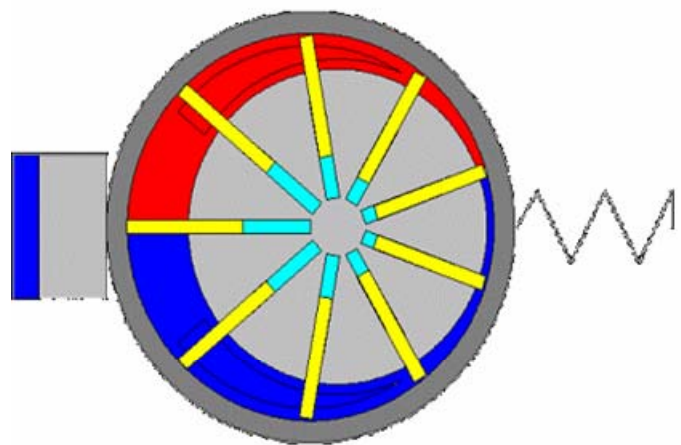
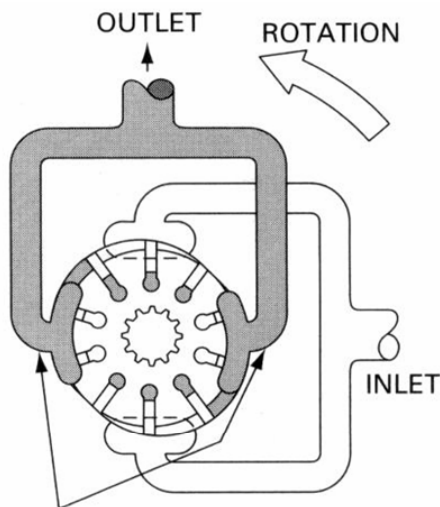
Name: _____

R.N.: _____

Answer the following questions:

Question one (4 marks)

Write down the words that represent each of the following:



Question two (6 marks)

Compare between Vane Pump and Piston Pump using neat sketches.

Good Luck 2/2
Dr. Rola Afify