



College of Engineering & Technology

Department: Mechanical Engineering
Lecturer: Dr. Rola Afify
Course Code: ME464

Marks: 15
Time: 1.15 - 2.00
Date: 19/3/2013

Name:

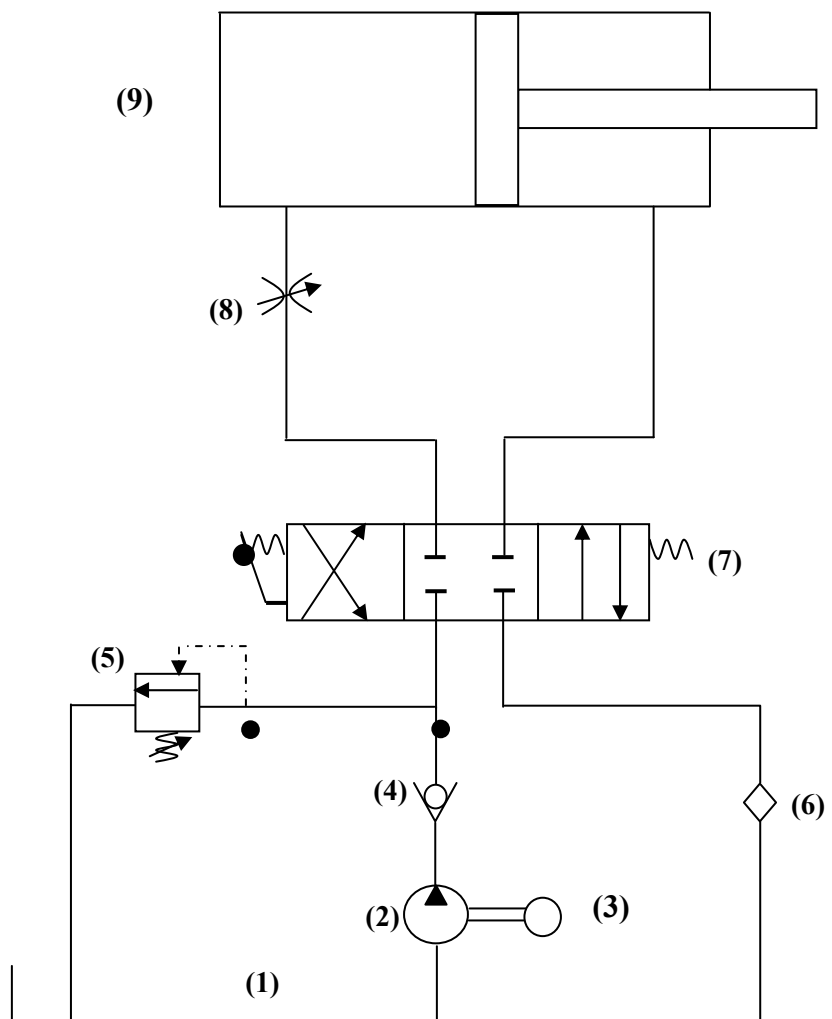
Answer the following questions:

Question one (2 marks)

Define Fluid Power.

Question two (9 marks)

Write the name of each component in the following Hydraulic circuit



Question three (4 marks)

What are the functions of an Oil tank?