



College of Engineering & Technology

Department: Mechanical Engineering

Marks: 30

Lecturer: Dr. Rola Afify

Time: 2:30 – 4:00

Course Code: ME464

Date: 14/5/2013

Name:

Answer the following questions:

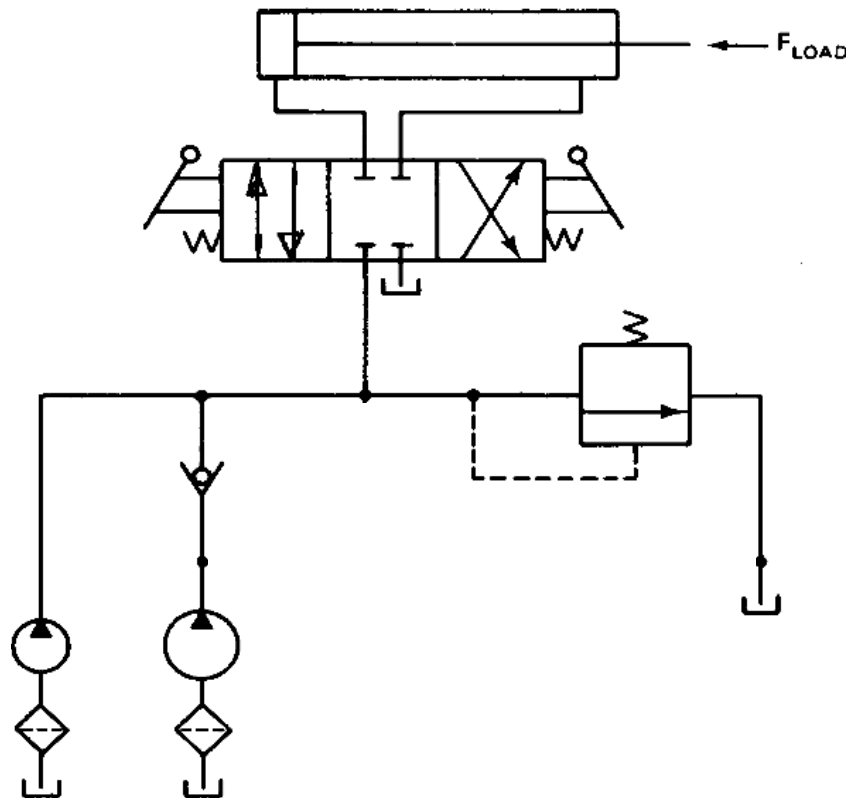
Question one (10 marks)

A) What are the primary functions of a hydraulic fluid?

B) Explain briefly, using illustrations, what is meant by Pascal's Law?

Question two (7 marks)

Write the name of each component in the following Hydraulic circuit



Question three (13 marks)

Compare between Dynamic (Non-Positive Displacement) and Positive Displacement Pumps using neat sketches with giving one example for each type.