



## College of Engineering & Technology

Department: Mechanical Engineering

Marks: 15

Lecturer: Dr. Rola Afify

Time: 8:30 - 10:00

Course Code: ME464

Date: 16/3/2016

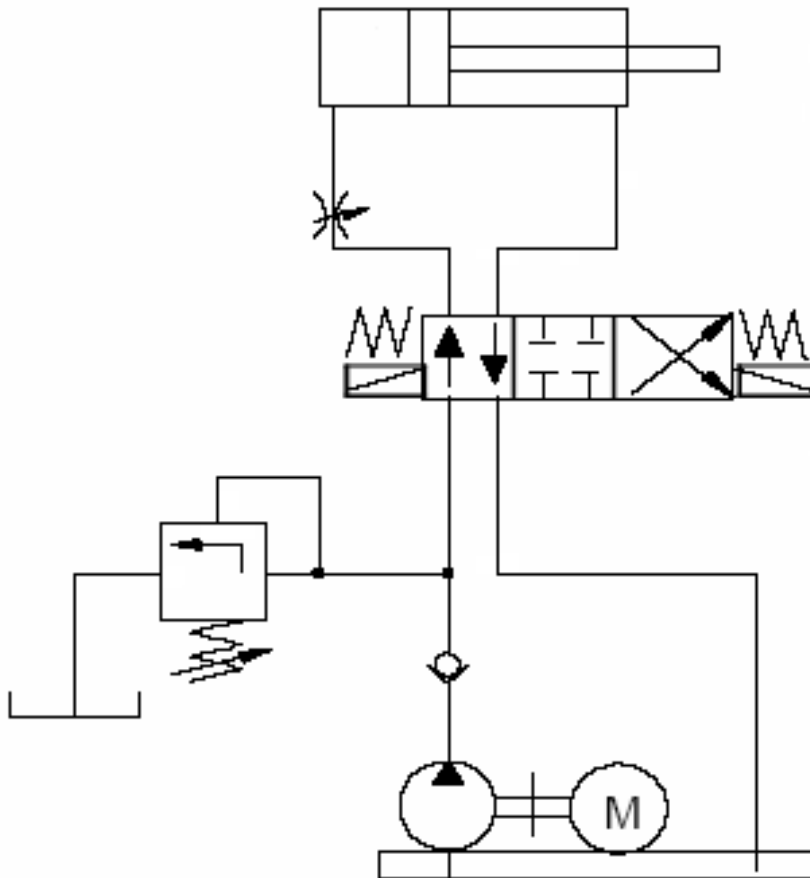
Name:

R.N.:

**Answer the following questions:**

**Question one (8 marks)**

Write the name of each component in the following Hydraulic circuit.



**Question two (7 marks)**

What are the advantages of using fluid power?

What are the functions of an Oil tank?