



College of Engineering & Technology

Department: Mechanical Engineering Marks: 15
 Lecturer: Dr. Rola Afify Time: 8:30 - 10:00
 Course Code: ME464 Date: 17/3/2016

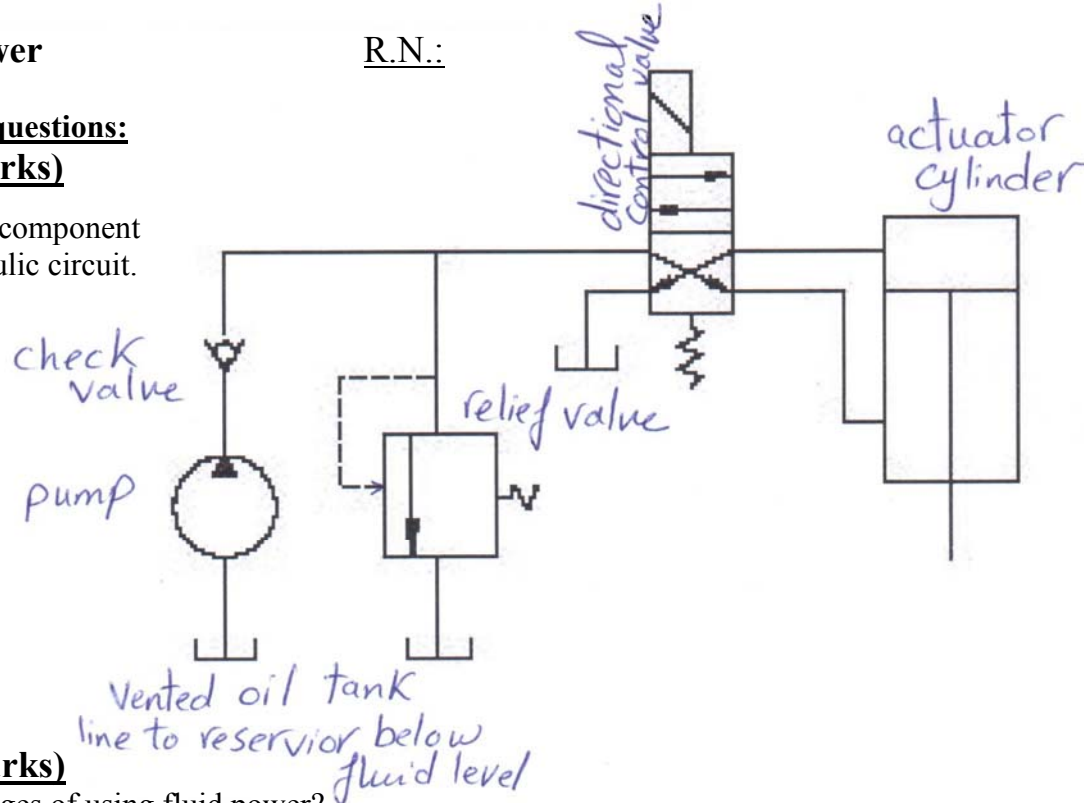
Name: **Model Answer**

R.N.:

Answer the following questions:

Question one (6 marks)

Write the name of each component in the following Hydraulic circuit.



Question two (9 marks)

What are the disadvantages of using fluid power?

- 1 – Hydraulic oils are messy.
- 2 – Leakage is impossible to eliminate completely.
- 3 – Hydraulic lines can burst (high speed oil jets and flying pieces of metal).
- 4 – Loud noise from pumps (loss of hearing).
- 5 – Most hydraulic oils can cause fires if oil leaks in an area of hot equipment.

Draw a schematic of an Oil tank.

