



College of Engineering & Technology

Department: Mechanical Engineering

Marks: 15

Lecturer: Dr. Rola Afify

Time: 8:30 - 10:00

Course Code: ME464

Date: 17/3/2016

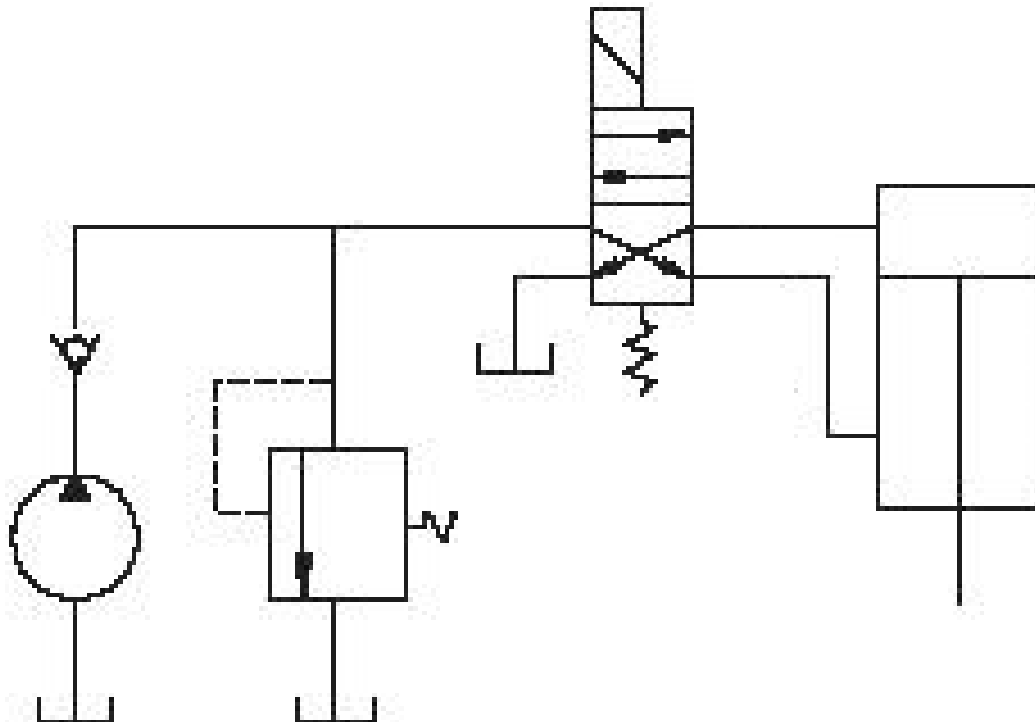
Name:

R.N.:

Answer the following questions:

Question one (6 marks)

Write the name of each component in the following Hydraulic circuit.



Question two (9 marks)

What are the disadvantages of using fluid power?

Draw a schematic of an Oil tank.

Good Luck 1/1

Dr. Rola Afify