



College of Engineering & Technology

Department: Mechanical Engineering

Marks: 15

Lecturer: Dr. Rola Afify

Time: 11.00 - 12.00

Course Code: ME356

Date: 4/11/2015

Name:

R.N.:

Answer the following questions:

Question one (6 marks)

A) Define:

i) Elasticity:

ii) Brittleness:

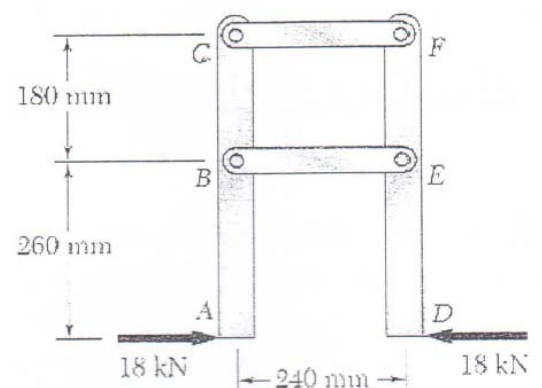
iii) Machinability:

B) What are the general considerations in Machine Design?

Question two (9 marks)

Members ABC and DEF, shown in Figure, are joined with steel links (E = 200 GPa). Each of the links is made of 25 x 25 mm plates. Determine the change in length of members BE and CF.

(Hint: $\sigma = E\varepsilon$)



Good Luck 1/1

Dr. Rola Afify