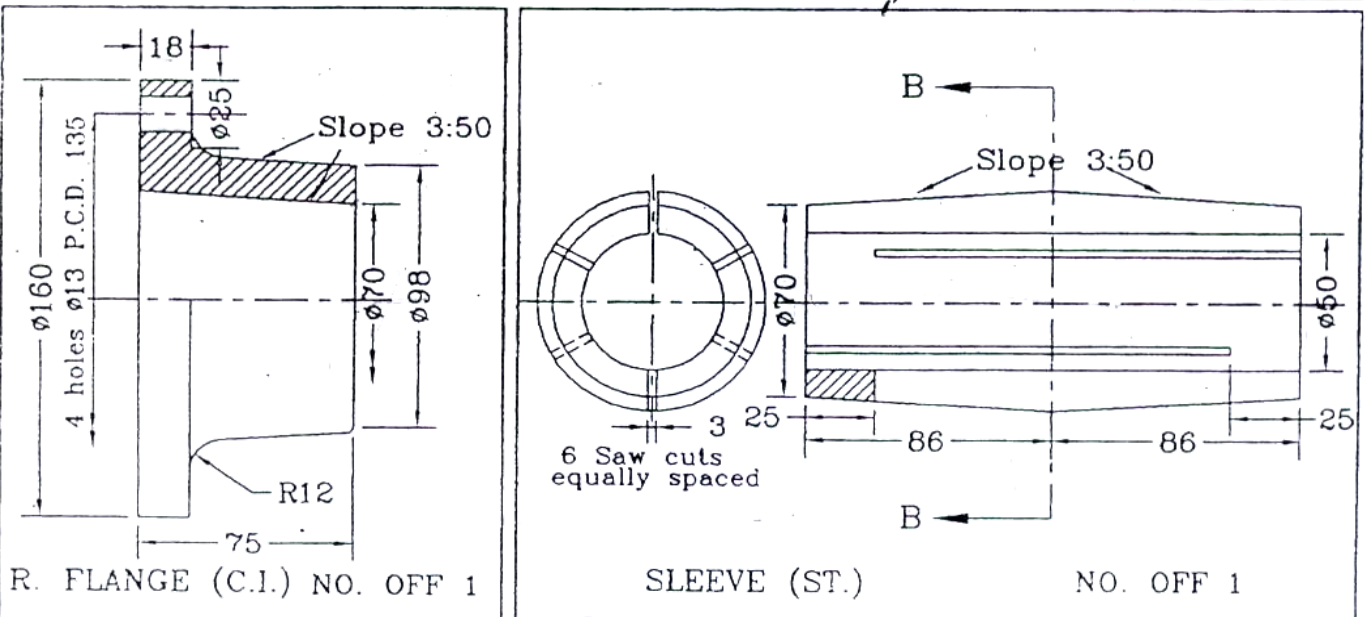
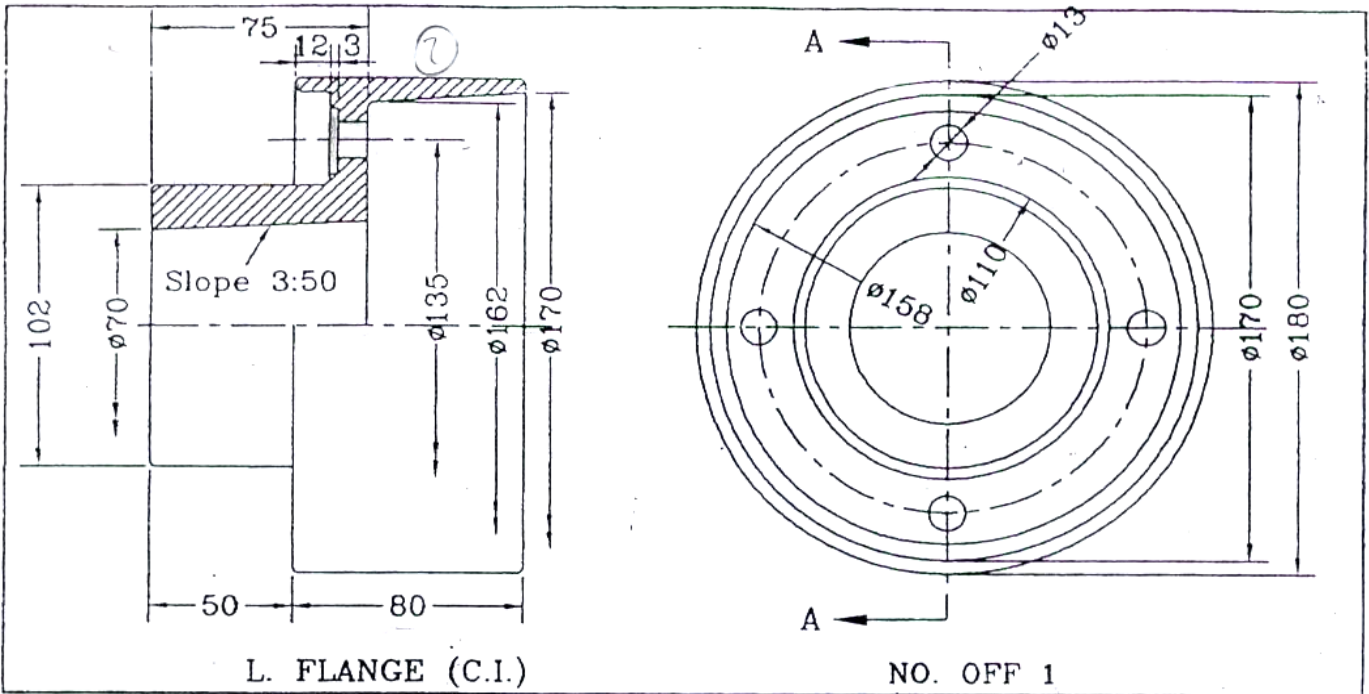


	Alexandria Higher Institute of Engineering & Technology (AIET)		
	Industrial Engineering Department		
	ME 141	Machines drawing	1 st Year
	Examiners:	Dr. Rola Afify and committee	Final, Jan.,23,2010 Time: 3 hour



You are given the details of COMPRESSION COUPLING. Assemble all parts using 4 M10 through bolts.

Draw the following views:

- H. SEC. ELEVATION (A-A)
- S.V.

Scale 1:1 and all dimensions in mms. All unspecified radii are R3.