

Alexandria Higher Institute of Engineering & Technology (AIET)

Industrial Engineering Department

1st Year

ME 141

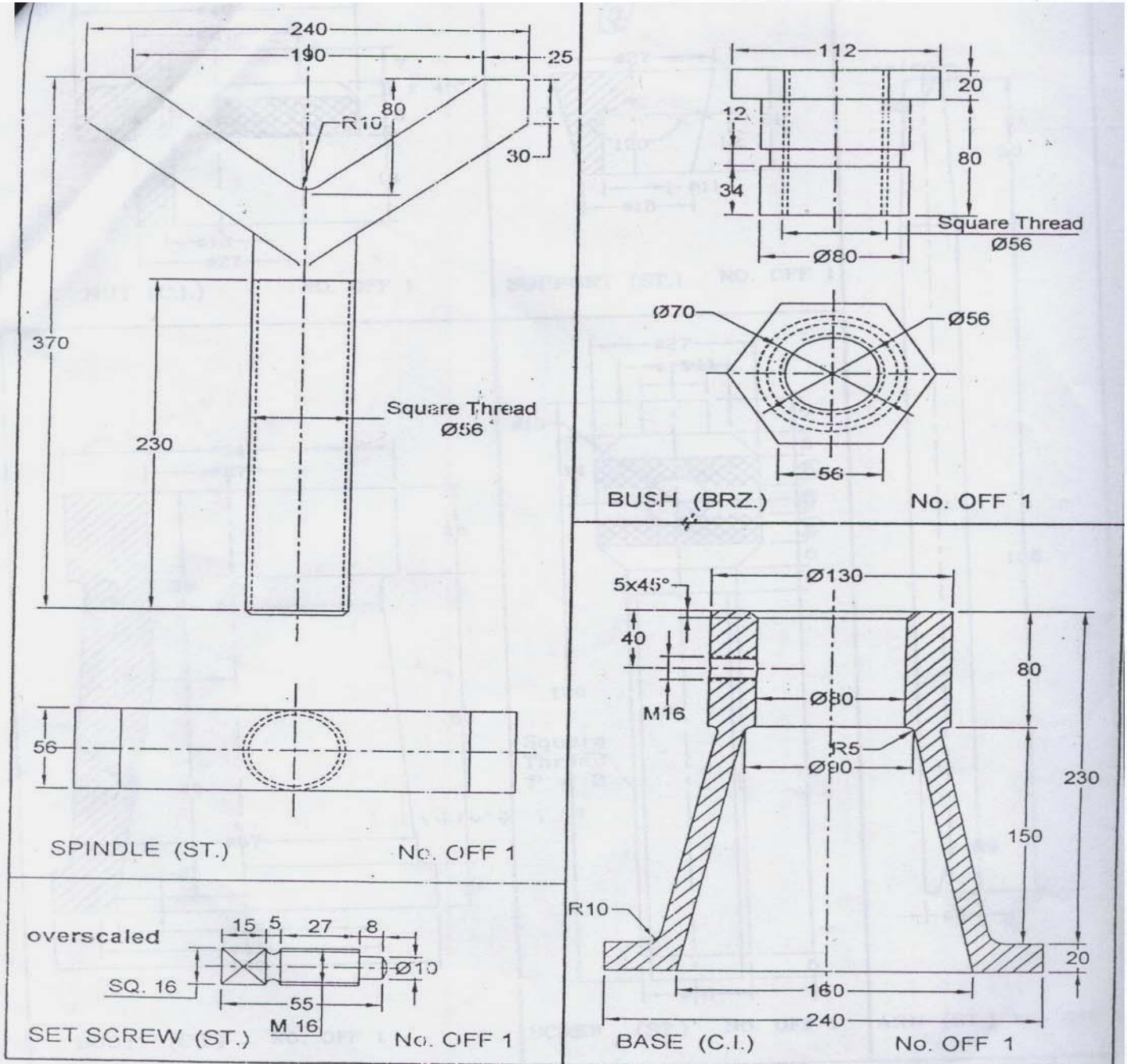
Machines drawing

Mid Term, Dec.,22,2009

Examiners:

Dr. Rola Afify and committee

Time: 1.5 hour



You are given the details of a **SCREW JACK**. Assemble all parts and draw the following views:

- SEC. ELEVATION
- S.V.

Scale 2:1 and all dimensions in mms.

All unspecified radii are R2.

Good Luck