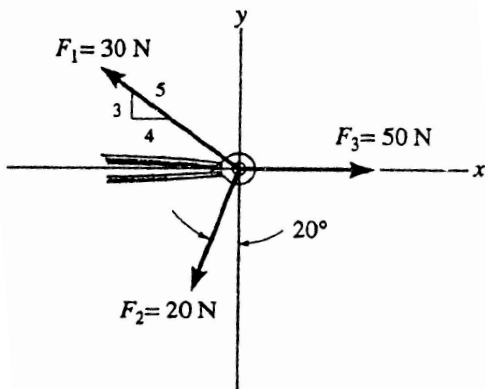
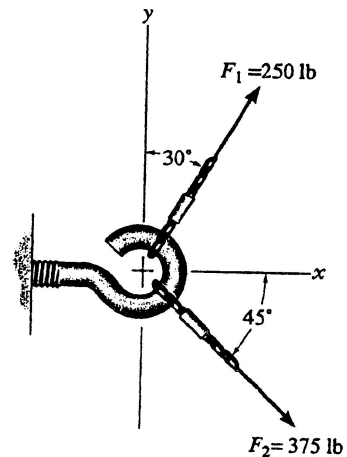
	Alexandria Higher Institute of Engineering & Technology (AIET)		
	General		Preparatory Year
	ME001	Mechanics I	Mid Term, Dec., 2010
	Examiners:	Dr. Rola Afify and committee	Time: 1.5 hour

Answer the following questions:

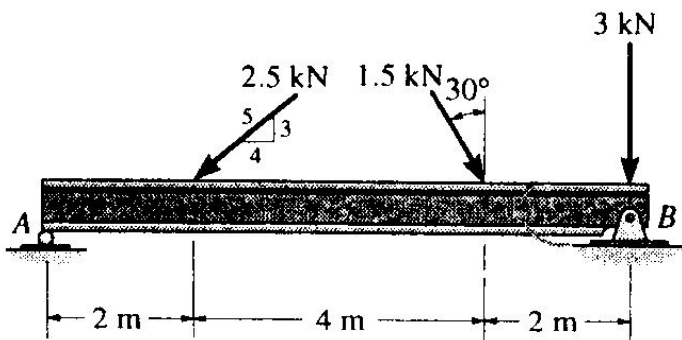
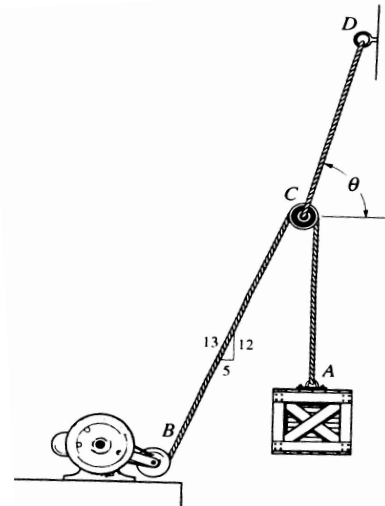
1- Determine graphically the magnitude of the resultant force and its direction, measured counterclockwise from the positive x-axis.



2- Determine the magnitude and direction of the resultant of these three forces.



3- The motor at B winds up the cord attached to the 65N crate with a constant speed. Determine the force in cord CD supporting the pulley and angle θ for equilibrium. Neglect the size of the pulley at C.



4- Replace the force system acting on the beam by an equivalent force and couple moment at point B.

Good Luck