



Stress analysis (ME 276)

Sheet No. 5.

For each of the loaded beams/cantilevers that shown in Figures 1 to 13 draw to suitable scale the normal forces diagram, the shear forces diagram and the bending moments diagram. Illustrate, on each diagram, the values at supports, points of loading and points of load changing.

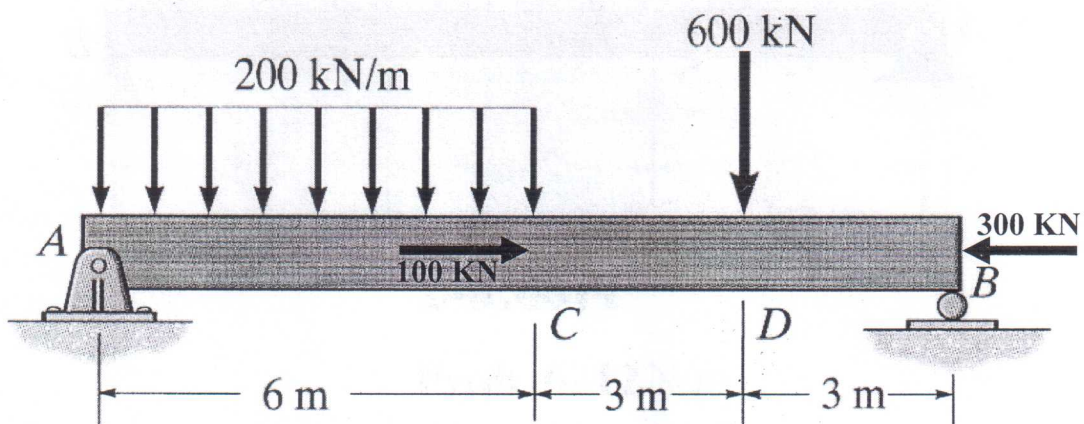


Figure 1.

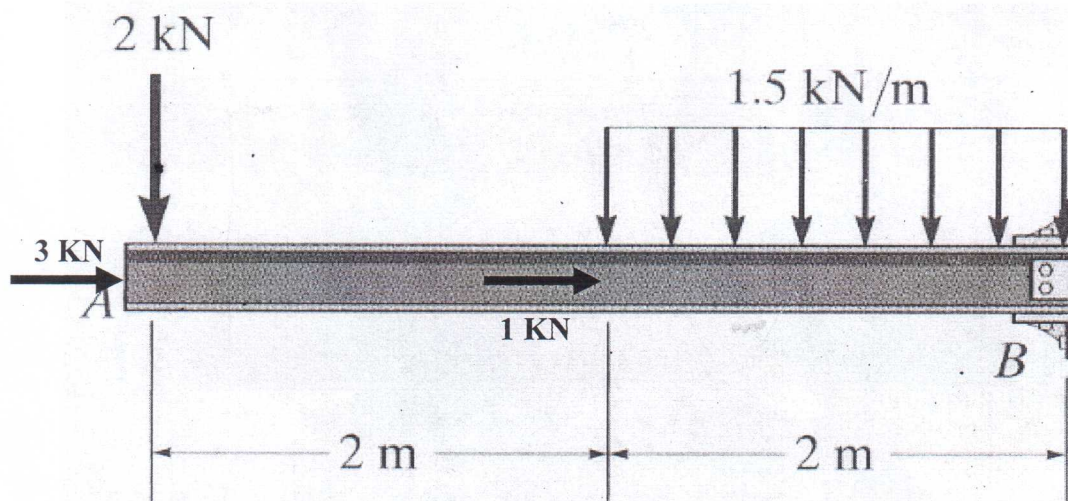


Figure 2.

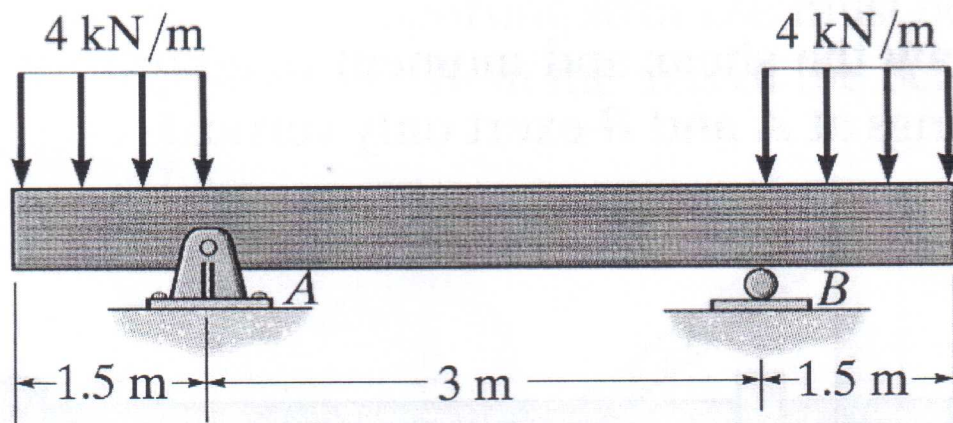


Figure 3.

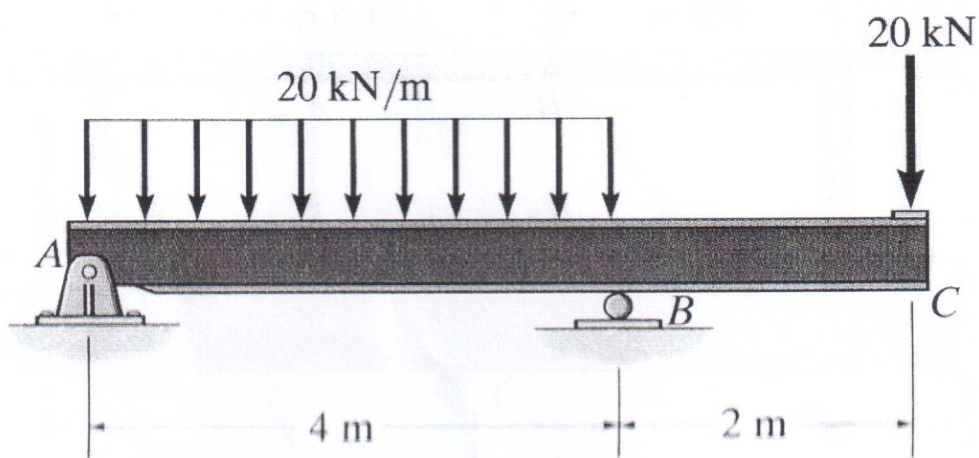


Figure 4.

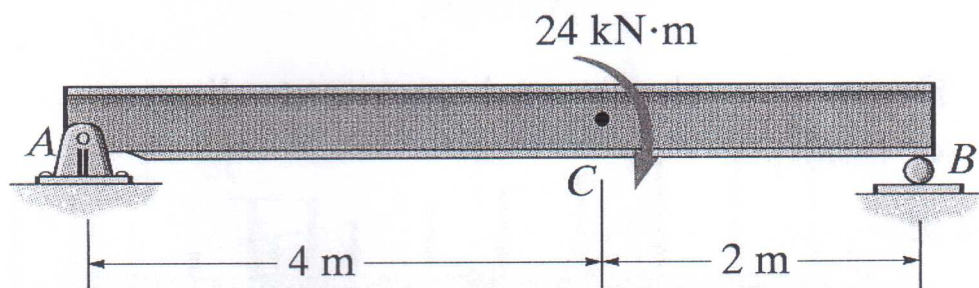


Figure 5.

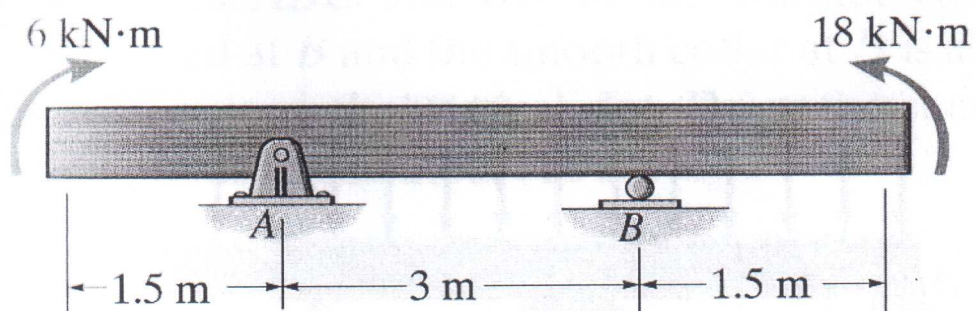


Figure 6.

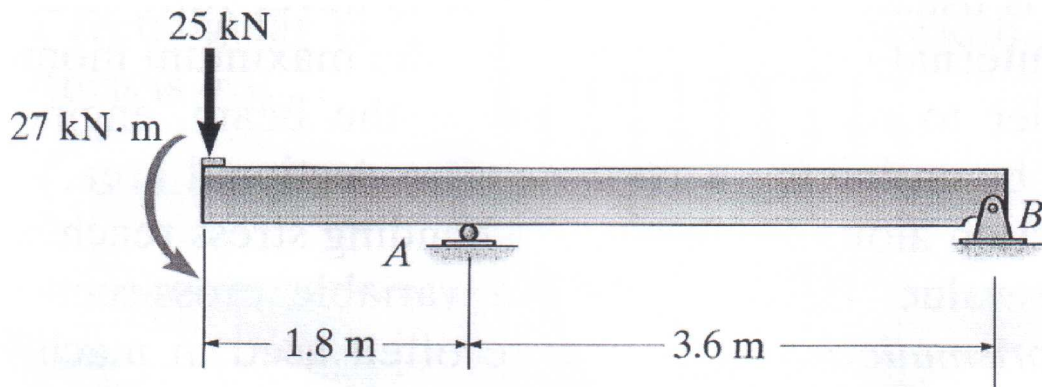


Figure 7.

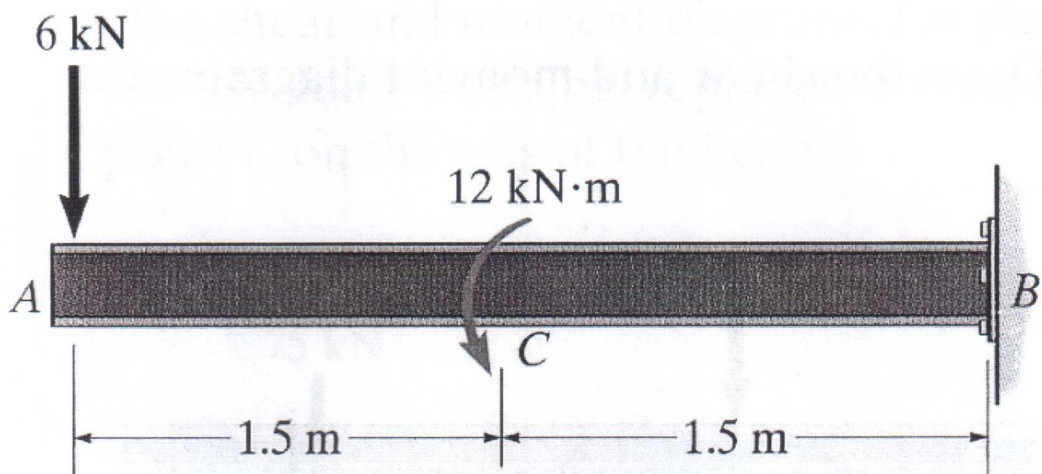


Figure 8.

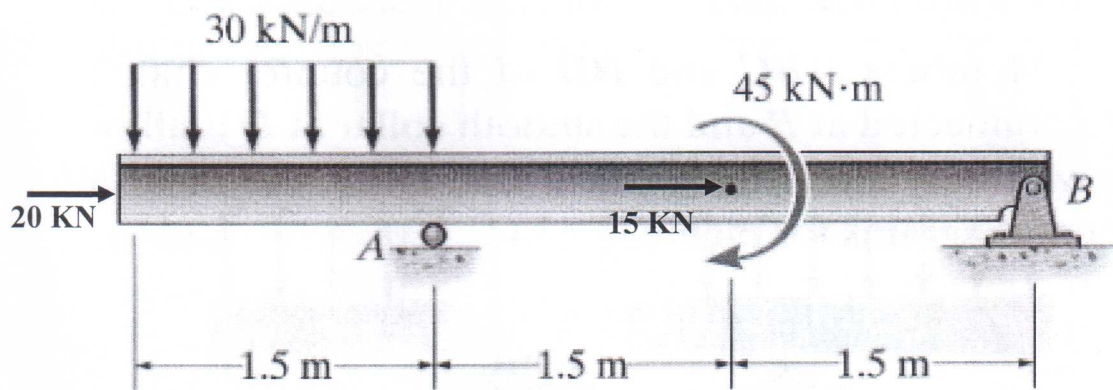


Figure 9.

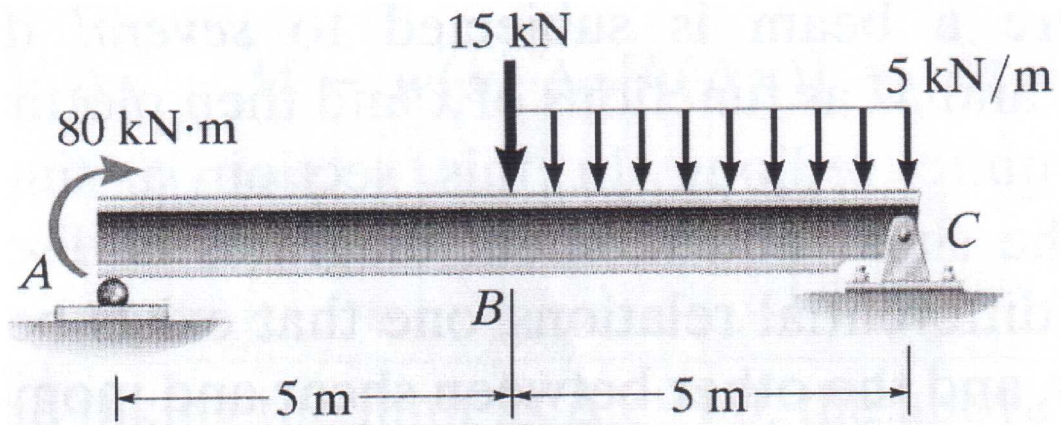


Figure 10.

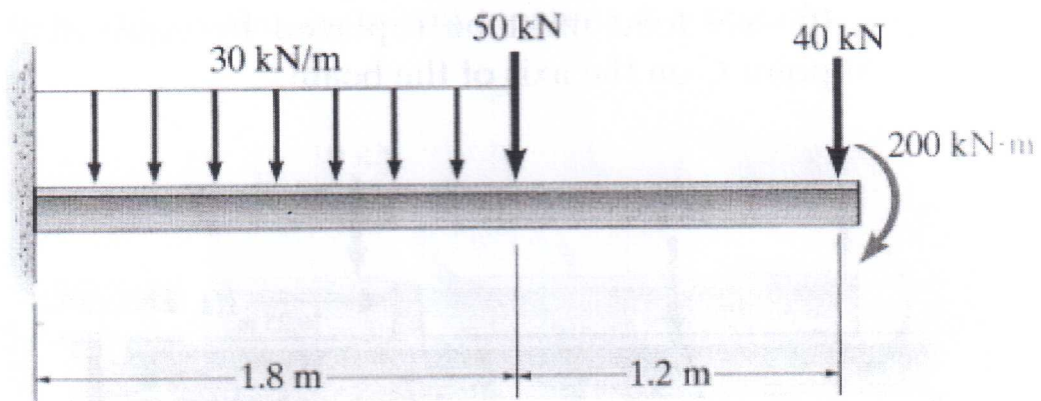


Figure 11.

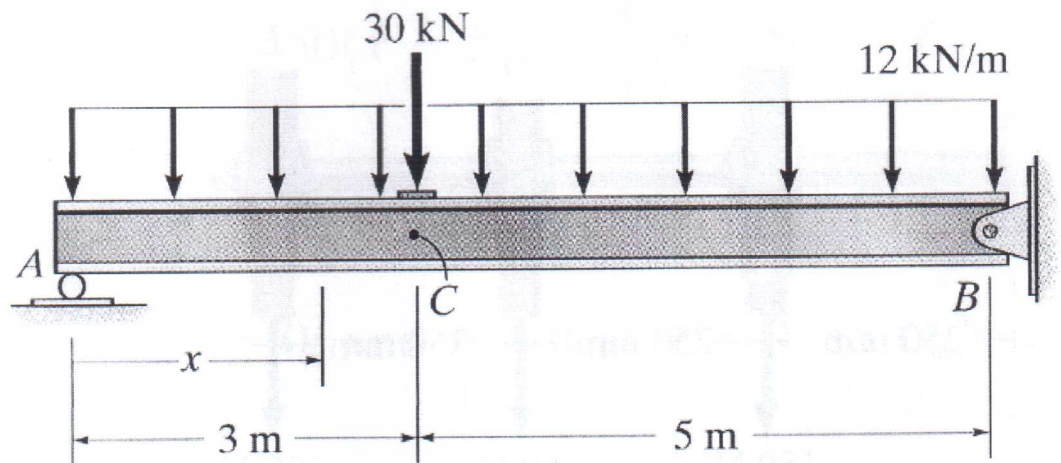


Figure 12.

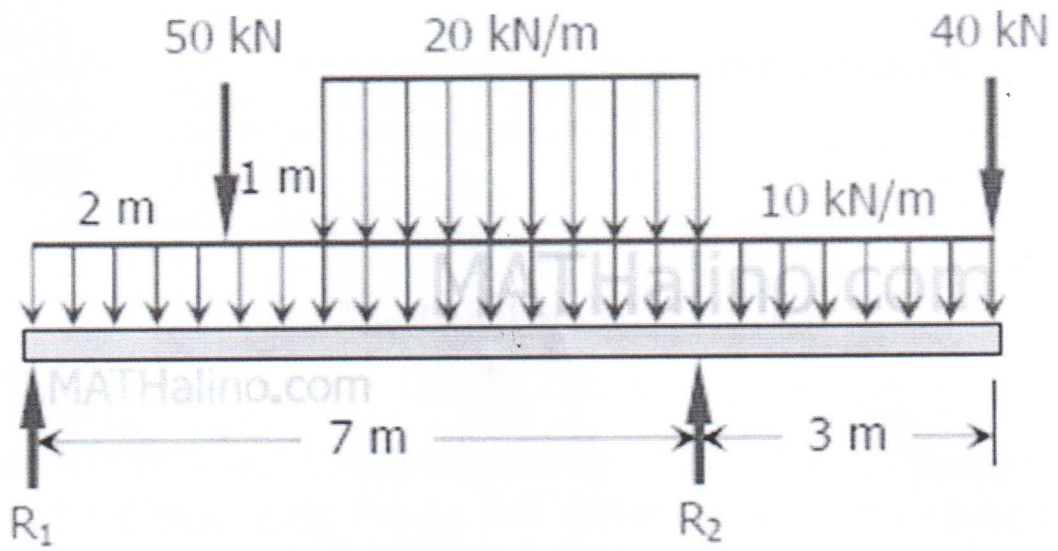


Figure 13.